

Electrical Submersible Sampling Pump

Grundfos Redi-Flo2® Environmental Pumps

The Grundfos Redi-Flo2® electrical submersible pump provides smooth, uninterrupted water flow during ground water sampling to depths down to 280 feet (85m). Both high flow rates needed for purging and low flows recommended for sampling are achieved with the same pump.

FEATURES

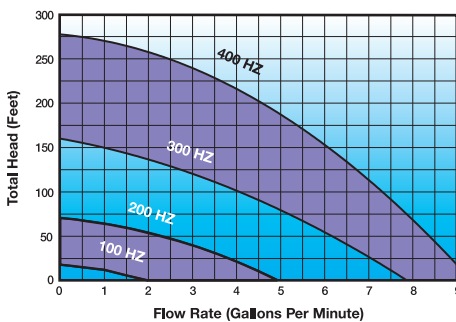
- **Chemically inert materials**
Maximum sample integrity and easy decontamination
- **1.8 inch (4.6cm) diameter**
Easy access into 2" (5cm) or larger wells
- **Flow rates range from 8 GPM (30 LPM) to as little as 100ml/min**
Controlled with the simple push of a button
- **Low velocities and agitation**
Ideal for sampling and purging
- **Portable solid state converter**
Eliminates the need for control valves
- **Continuous flow**
Ensures a cleaner, simpler sample catch
- **Dedicated or Portable configurations available**

OPERATION

Designed for long-term reliability in dedicated monitoring wells, the Redi-Flo2® provides optimal sample quality. Whether doing traditional purging prior to sampling or low draw-down passive sampling when operated with the Redi-Flo VFD (Variable Frequency Drive) flow control is easy!

Purging and sampling with the same pump is extremely efficient. The unique design and superior materials allow for easy operation, decontamination and maintenance as well as disassembly and reassembly.

PERFORMANCE



Redi-Flo2® pump as a portable system mounted on Geo Reel



Dedicated Redi-Flo2® pump setup with tubing, All-In-One motor lead and integrated safety cable, and well cap



Add confidence using the Geotech all-in-one motor lead with integrated safety cable

CALL GEOTECH TODAY (800) 833-7958

Geotech Environmental Equipment, Inc.

2650 East 40th Avenue • Denver, Colorado 80205

(303) 320-4764 • (800) 833-7958 • FAX (303) 322-7242

email: sales@geotechenv.com website: www.geotechenv.com

Electrical Submersible Sampling Pump



Grundfos Redi-Flo2® Environmental Pumps

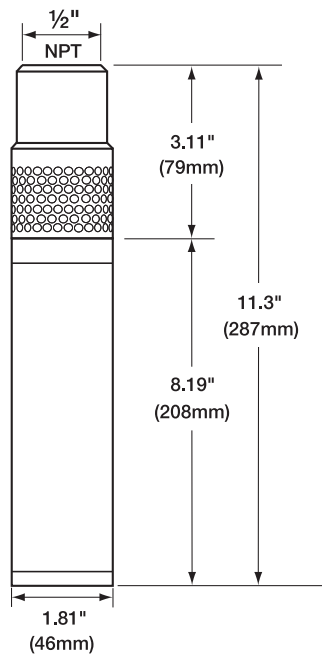
CUSTOM ACCESSORIES

Professional accessories make your job easier, your equipment last longer, and protect your investment!

Geotech has a shroud specifically designed for use with the Grundfos Redi-Flo2® in wells 4" (10cm) in diameter or larger. The Redi-Flo2® electrical submersible pump was designed to stay cool by the action of the water passing rapidly over the body of the stainless steel and PTFE pump. In 2" (5cm) diameter wells this is achieved automatically. In larger diameter wells the pump may overheat, causing permanent damage to the inner workings. The Geotech pump shroud can help you avoid damage to your Redi-Flo2® pump, and help you to protect your investment, project after project.

If your site plan requires all the water passing through your pump be disposed of and not allowed to return to the well, ask your sales representative about our custom stainless steel check valve.

DIMENSIONS



SPECIFICATIONS

Electric

Full Load Rating	.5 HP/220V/3 PH/400 Hz/5.5A
Maximum Current (SFA)	5.5 amps
Motor Protection	Thermal overload – Thermik Geratebau, Series SY6 (176°F/80°C)
Current Overload	Incorporated into Redi-Flo VFD (9.0A for 10 seconds)

Piping Connection

Discharge Port	1/2" Female NPT
-----------------------	-----------------

Operating Conditions

Minimum Ambient Fluid Temp.	34°F (1°C)
Maximum Ambient Fluid Temp.	80°F (28°C)

Motor Fluid

Motor Lubricating Fluid	Deionized (DI) Water
--------------------------------	----------------------

Dimensions & Weight (Pump & Motor)

Dimensions	11.3" L x 1.81" D (28.7cm L x 4.6cm D)
Net Weight	5.5 lbs. (2.5 kg), excluding motor lead

Lead Lengths

Standard Lengths in Feet	30, 50, 75, 100, 125, 150, 175, 200, 250, 300 (9, 15, 23, 30, 38, 46, 53, 61, 76, 91 meters)
Custom Lengths	Available in 1 ft. (0.3m) increments from 30 to 300 ft. (9-91m)



Redi-Flo2®
Cooling
Shroud



Redi-Flo2® Stainless Steel Check Valve

CALL GEOTECH TODAY (800) 833-7958

Geotech Environmental Equipment, Inc.

2650 East 40th Avenue • Denver, Colorado 80205

(303) 320-4764 • (800) 833-7958 • FAX (303) 322-7242

email: sales@geotechenv.com website: www.geotechenv.com

Electrical Submersible Sampling Pump



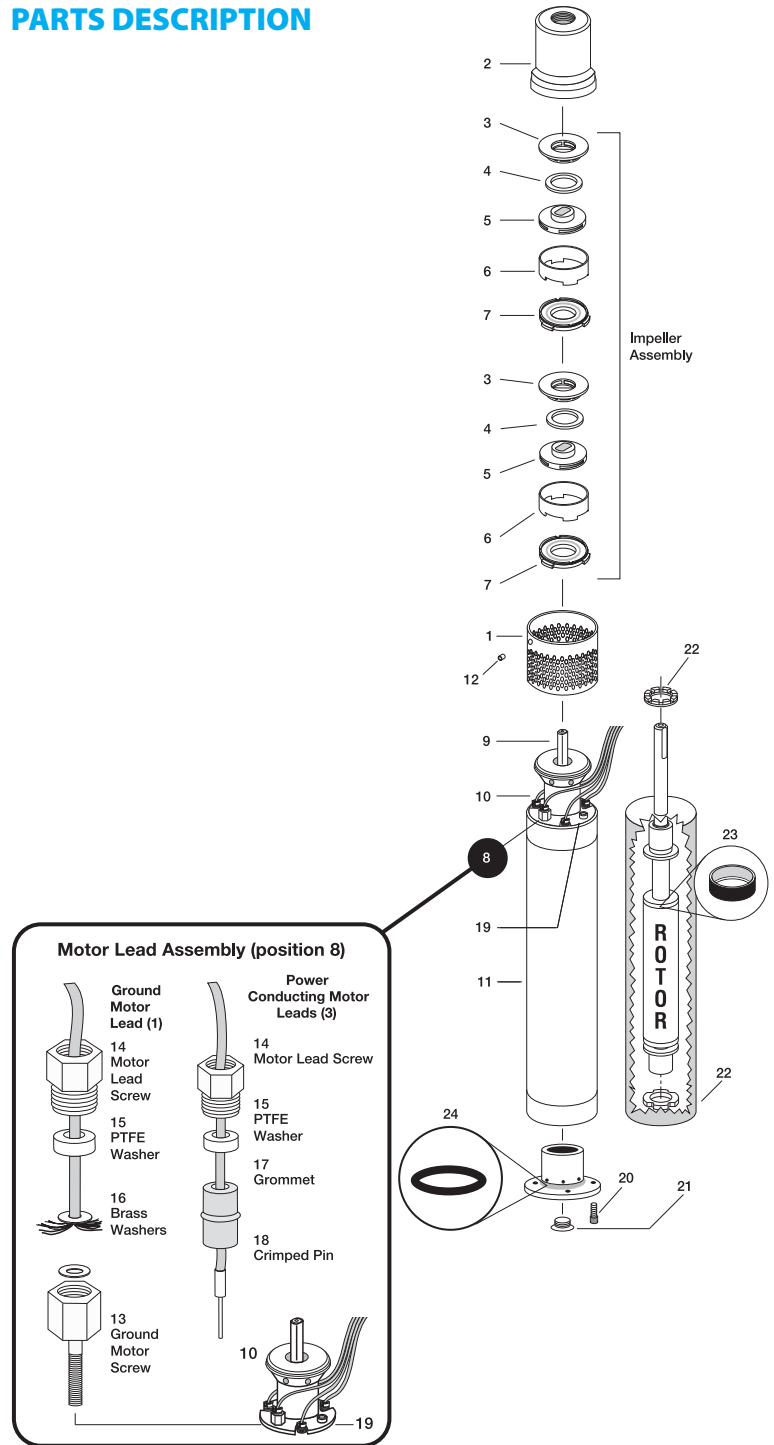
Grundfos Redi-Flo2® Environmental Pumps

PUMP COMPONENTS

Pos. No.	Part Description	No. Used Per Pump	Part Number
1	Inlet Screen	1	1A0004
2	Pump Housing ½" NPT	1	1A0044
3	Guide Vane	2	See Service Kits
4	Wear Ring	2	"
5	Impeller	2	"
6	Spacer Ring	2	"
7	Wear Plate	2	"
8	Motor Lead Assembly	4	See Pos. 13-18
9	Shaft, Rotor	1	Not Available*
10	Suction Interconnector	1	1A5004
11	Stator Housing	1	Not Available*
12	Set Screw	1	See Service Kits
13	Ground Motor Screw	1	"
14	Motor Lead Screw	4	"
15	PTFE Washer	4	"
16	Brass Washer	2	"
17	Grommet	3	"
18	Crimped Pin	3	"
19	Motor Screw (long)	2	"
20	Motor Screw (short)	6	"
21	Filling Screw w/O-Ring	1	"
22	Motor Thrust Washers	2	"
23	Lip Seal	1	ID5566
24	Bearing Housing O-Ring	2	See Service Kits

*Not economical to replace, must purchase complete pump / motor.

PARTS DESCRIPTION



CALL GEOTECH TODAY (800) 833-7958

Geotech Environmental Equipment, Inc.

2650 East 40th Avenue • Denver, Colorado 80205

(303) 320-4764 • (800) 833-7958 • FAX (303) 322-7242

email: sales@geotechenv.com website: www.geotechenv.com